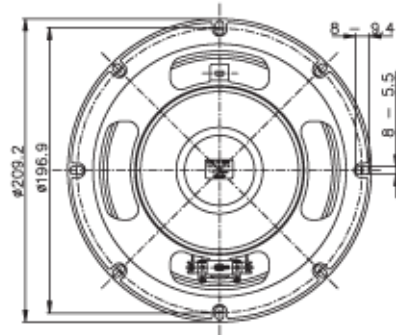
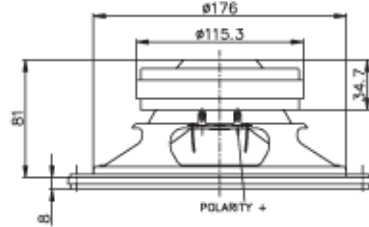




# 8FE200 Fe Series



## NOMINAL SPECIFICATIONS

Nominal Diameter	200 mm (8 in)
Overall Diameter	209 mm (8.23 in)
Bolt Circle Diameter	196.9 mm (7.75 in)
Baffle Cutout Diameter	178 mm (7.01 in)
Depth	89 mm (3.5 in)
Flange and Gasket Thickness	8 mm (0.31 in)
Net Weight	2.15 Kg (4.73 lb)
Shipping Box (Single Carton Box)	116x231x235 mm (4.5x9x9.25 in)
Shipping Weight	2.4 Kg (5.29 lb)

## ELECTRICAL SPECIFICATION

Minimum Impedance	6.8 Ohm
Nominal Impedance	8 Ohm
Nominal Power Handling *	130 W
Maximum Power Handling **	260 W
Sensitivity (1W/1m)	95 dB
Frequency Range	60÷5000 Hz
Voice Coil Diameter	37 mm (1.45 in)
Winding Material	Al
Former Material	Kapton
Winding Depth	12 mm (0.47 in)
Magnetic Gap Depth	8 mm (0.31 in)
Flux Density	1 T

## THIELE & SMALL PARAMETERS

Fs	80 Hz
Re	5.9 Ohm
Bl	8.2 N/A
Mms	15 g
Cms	0.363 mm/N
Rms	0.5 Kg/s
Qes	0.4
Qms	13
Qts	0.4
Vas	21.7 dm <sup>3</sup> (0.76 ft <sup>3</sup> )
Sd	205.5 cm <sup>2</sup> (31.8 in <sup>2</sup> )
Xmax ***	4.7 mm
Xdamage ****	10.4 mm
Le	0.44 mH
Mmd	13.5 g
Eta Zero	1.5 %

## ORDERING CODES

Faston Terminals - 8 Ohm Version	TBA
----------------------------------	-----

## NOTES

(\* ) 2 Hours Test According to AES 2-1984 Rev. 2003

(\*\* ) Maximum power is defined as 3dB greater than nominal power.

(\*\*\* ) Xmax = [(winding depth - magnetic gap depth) / 2] + (magnetic gap depth / 3)

(\*\*\*\* ) Maximum excursion before permanent damage

# CURVES

---

