

**KEY FEATURES**

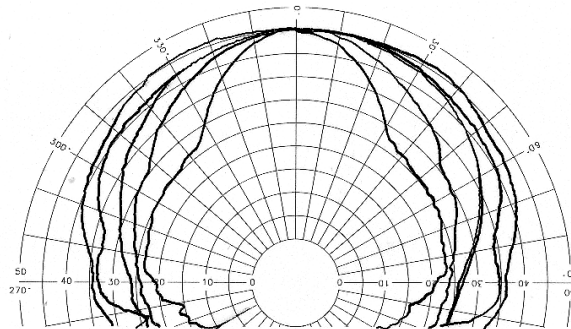
- 1" (25.8 mm) edgewound aluminium ribbon voice coil
- Great power handling: 15 w AES
- Narrow directivity: 40° conical
- High sensitivity: 105 dB
- Designed for outdoor applications



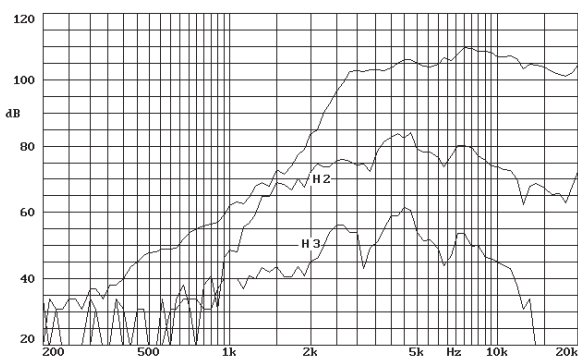
**GENERAL DESCRIPTION**

This compression tweeter is designed for using in multi-element loudspeaker systems in sound reinforcement applications that require high output, narrow controlled dispersion and long throw. This model produces a very high output level with flat response and excellent transient attack. This unit features an aluminium voice coil diaphragm assembly, which is field replaceable without soldering.

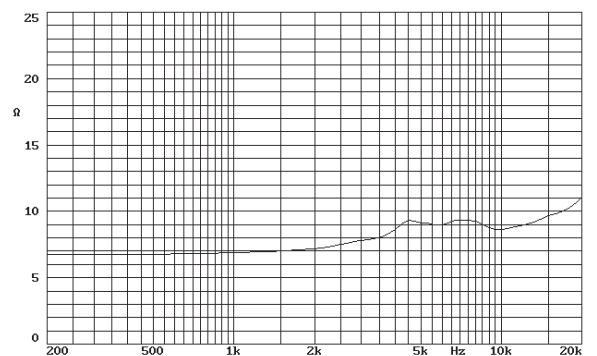
**HORIZONTAL POLAR PATTERN**



**FREQUENCY RESPONSE AND DISTORTION CURVES**



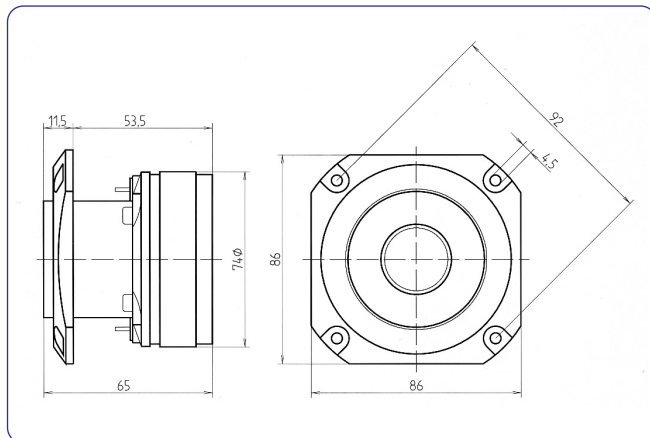
**FREE AIR IMPEDANCE CURVE**



### TECHNICAL SPECIFICATIONS

Rated impedance	8 ohms.
Minimum impedance	8.5 ohms. @ 10 kHz
D.C. Resistance	7.3 ohms.
Power capacity*	15 w AES
Program Power	30 w
Sensitivity**	105 dB 1w @ 1m.
Frequency range	3 - 20 kHz
Recommended crossover	6 kHz or higher
Dispersion H x V	40° conical
Voice coil diameter	25.8 mm. 1 in.
Magnetic assembly weight	0.66 kg. 1.45 lb.
Flux density	1.45 T
BL Factor	4 N/A

### DIMENSION DRAWINGS



### MOUNTING INFORMATION

Overall diameter	86 x 86 mm.	3.38 x 3.38 in.
Depth	65 mm.	2.56 in.
Baffle cutout dimensions	ø 75 mm.	2.95 in.
Bolt circle diameter	92 mm.	3.62 in.
Net weight	0.76 kg.	1.67 lb.
Shipping weight	0.8 kg.	1.76 lb.

#### Notes:

\*The power capacity is determined according to AES2-1984 (r2003) standard. Program power is defined as the transducer's ability to handle normal music program material.

\*\*Sensitivity was measured at 1 m distance, on axis, with 1 w input, averaged in the range 3-15 kHz

### MATERIALS

- **Diaphragm:** Aluminium
- **Voice coil:** Copper
- **Voice coil former:** Kapton
- **Magnet:** Ferrite



acústica beyma, s.a.