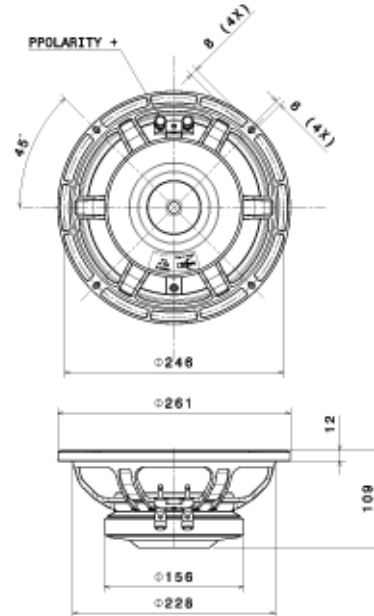




# 10PR310 Professional Series



## NOMINAL SPECIFICATIONS

Nominal Diameter	250 mm (10 in)
Overall Diameter	261 mm (10.28 in)
Bolt Circle Diameter	246 mm (9.69 in)
Baffle Cutout Diameter	230 mm (9.06 in)
Depth	109 mm (4.29 in)
Flange and Gasket Thickness	12 mm (0.47 in)
Net Weight	4.1 Kg (9.04 lb)
Shipping Box (Single Carton Box)	282x280x140 mm (11.10x11.02x5.51 in)
Shipping Weight	4.7 Kg (10.36 lb)

## ELECTRICAL SPECIFICATION

Nominal Impedance	8 Ohm
Minimum Impedance	6.7 Ohm
AES Power Handling *	300 W
Maximum Power Handling **	600 W
Sensitivity (1W/1m)	98 dB
Frequency Range	60÷5000 Hz
Voice Coil Diameter	65 mm (2.5 in)
Winding Material	Al
Former Material	Glass Fiber
Winding Depth	12.5 mm (0.49 in)
Magnetic Gap Depth	8 mm (0.31 in)
Flux Density	1.05 T

## THIELE & SMALL PARAMETERS

Fs	54 Hz
Re	5.4 Ohm
Qes	0.31
Qms	7
Qts	0.3
Vas	42 dm <sup>3</sup> (1.48 ft <sup>3</sup> )
Sd	339 cm <sup>2</sup> (52.55 in <sup>2</sup> )
Xmax ***	4.92 mm
Xdamage ****	15.25 mm
Mms	33.7 g
Bl	14 N/A
Le	0.64 mH
Mmd	30.1 g
Cms	0.25 mm/N
Rms	1.62 Kg/s
Eta Zero	2 %
EBP	174 Hz

## NOTES

(\* ) 2 Hours Test According to AES 2-1984 Rev. 2003

(\*\* ) Maximum power is defined as 3dB greater than nominal power.

(\*\*\* )  $X_{max} = [(winding\ depth - magnetic\ gap\ depth) / 2] + (magnetic\ gap\ depth / 3)$

(\*\*\*\* ) Maximum excursion before permanent damage

# CURVES

---

