

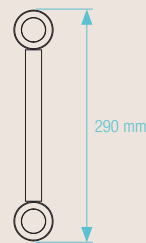
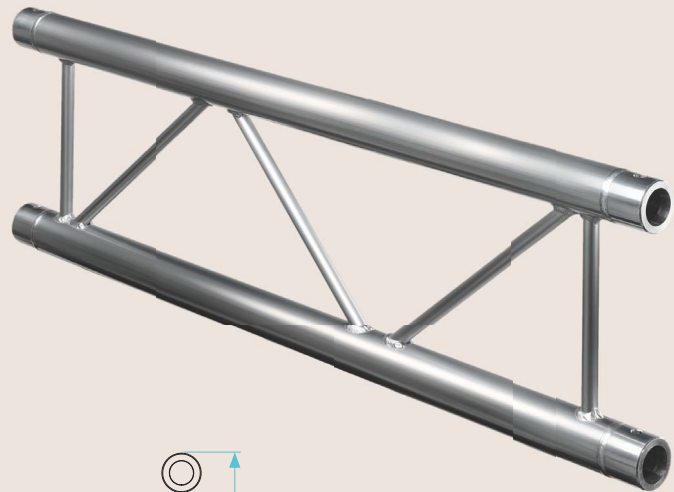
K-30

Great for – fixed middle size projects, advertising banner installations

- connection type > conical connector
- tubes > 50x2 mm
- braces > 20x2 mm
- material > AlMgSi1
- > EN-AW 6082 T6

Circles & special structures available

Powder coating to RAL reference



2
point

2K-30

figures are based on use in vertical position and stabilised every 1 m

| | | | | | | | |
|------------------------------|------|-------|-------|-------|-------|-------|-------|
| Span in m | 4,00 | 6,00 | 8,00 | 10,00 | 12,00 | 14,00 | 16,00 |
| point load in kg | 587 | 387 | 286 | 224 | 182 | 152 | 128 |
| deflection in mm | 12,0 | 28,0 | 50,0 | 79,0 | 114,0 | 156,0 | 206,0 |
| two point load in kg | 385 | 290 | 214 | 168 | 137 | 114 | 96 |
| deflection in mm | 14,0 | 36,0 | 64,0 | 100,0 | 143,0 | 195,0 | 254,0 |
| distrib. loading in kg/m | 192 | 127 | 71 | 45 | 30 | 22 | 16 |
| total distrib. loading in kg | 768 | 762,0 | 568,0 | 450,0 | 360,0 | 308,0 | 256,0 |
| deflection in mm | 10,0 | 35,0 | 62,0 | 97,0 | 140,0 | 191,0 | 249,0 |

3K-30

figures are based on use in apex down orientation

| | | | | | | | |
|------------------------------|------|-------|-------|-------|-------|-------|-------|
| Span in m | 4,00 | 6,00 | 8,00 | 10,00 | 12,00 | 14,00 | 16,00 |
| point load in kg | 504 | 329 | 239 | 184 | 145 | 117 | 94 |
| deflection in mm | 11,0 | 24,0 | 43,0 | 69,0 | 100,0 | 138,0 | 182,0 |
| two point load in kg | 378 | 247 | 179 | 138 | 109 | 87 | 70 |
| deflection in mm | 14,0 | 31,0 | 55,0 | 85,0 | 123,0 | 167,0 | 218,0 |
| distrib. loading in kg/m | 252 | 110 | 60 | 37 | 24 | 17 | 12 |
| total distrib. loading in kg | 1008 | 658,0 | 480,0 | 370,0 | 288,0 | 238,0 | 192,0 |
| deflection in mm | 13,0 | 30,0 | 53,0 | 84,0 | 120,0 | 164,0 | 214,0 |

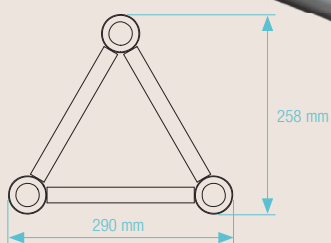
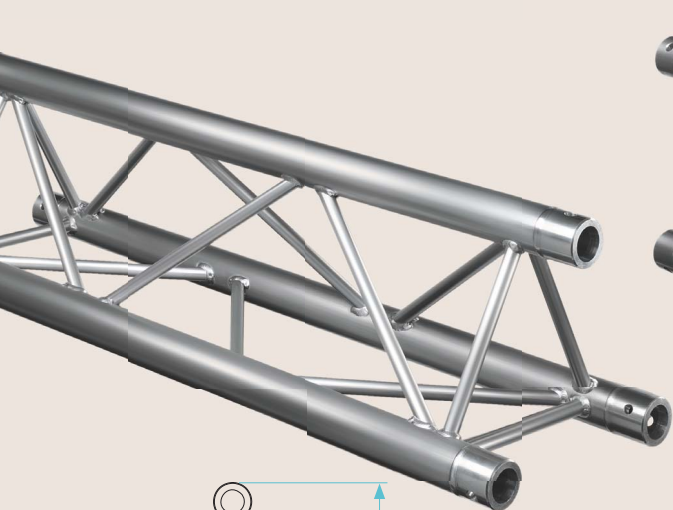
4K-30

| | | | | | | | |
|------------------------------|------|--------|--------|-------|-------|-------|-------|
| Span in m | 4,00 | 6,00 | 8,00 | 10,00 | 12,00 | 14,00 | 16,00 |
| point load in kg | 1171 | 771 | 568 | 444 | 359 | 297 | 248 |
| deflection in mm | 12,0 | 28,0 | 50,0 | 79,0 | 115,0 | 157,0 | 207,0 |
| two point load in kg | 852 | 578 | 426 | 333 | 269 | 222 | 186 |
| deflection in mm | 15,0 | 36,0 | 64,0 | 100,0 | 143,0 | 195,0 | 254,0 |
| distrib. loading in kg/m | 426 | 257 | 142 | 89 | 60 | 42 | 31 |
| total distrib. loading in kg | 1704 | 1542,0 | 1136,0 | 890,0 | 720,0 | 588,0 | 496,0 |
| deflection in mm | 11,0 | 35,0 | 62,0 | 97,0 | 140,0 | 191,0 | 249,0 |

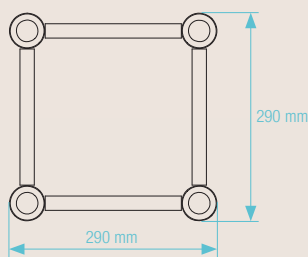
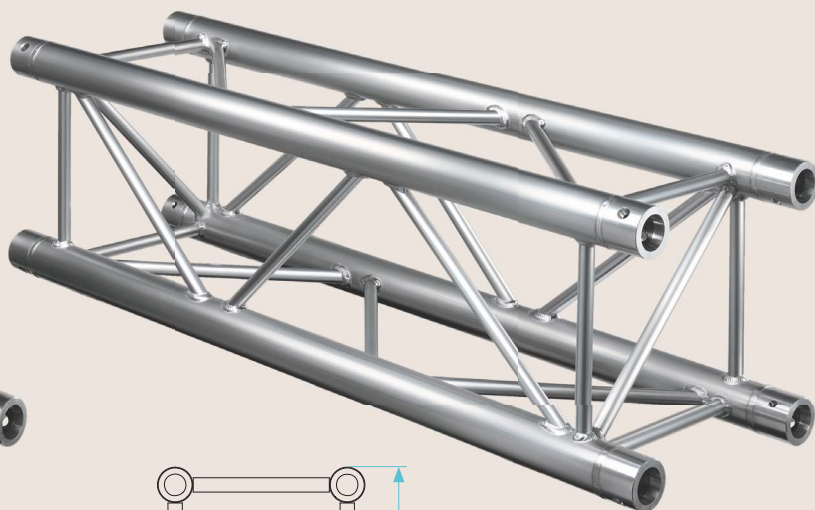
STANDARD LENGTHS AVAILABLE AND WEIGHTS

| | | | | | | | | |
|------------|------|------|------|-------|-------|-------|-------|-------|
| m | 0,50 | 1,00 | 1,50 | 2,00 | 2,50 | 3,00 | 4,00 | 5,00 |
| 2K-30 (kg) | 1,50 | 3,35 | 5,00 | 6,00 | 7,50 | 9,00 | 12,00 | 15,00 |
| 3K-30 (kg) | 2,25 | 4,50 | 6,80 | 9,00 | 11,25 | 13,50 | 18,00 | 22,50 |
| 4K-30 (kg) | 2,95 | 5,90 | 8,90 | 11,80 | 14,75 | 17,70 | 23,60 | 29,50 |

connection material (pins/clips/cons) and packaging not included in above weights

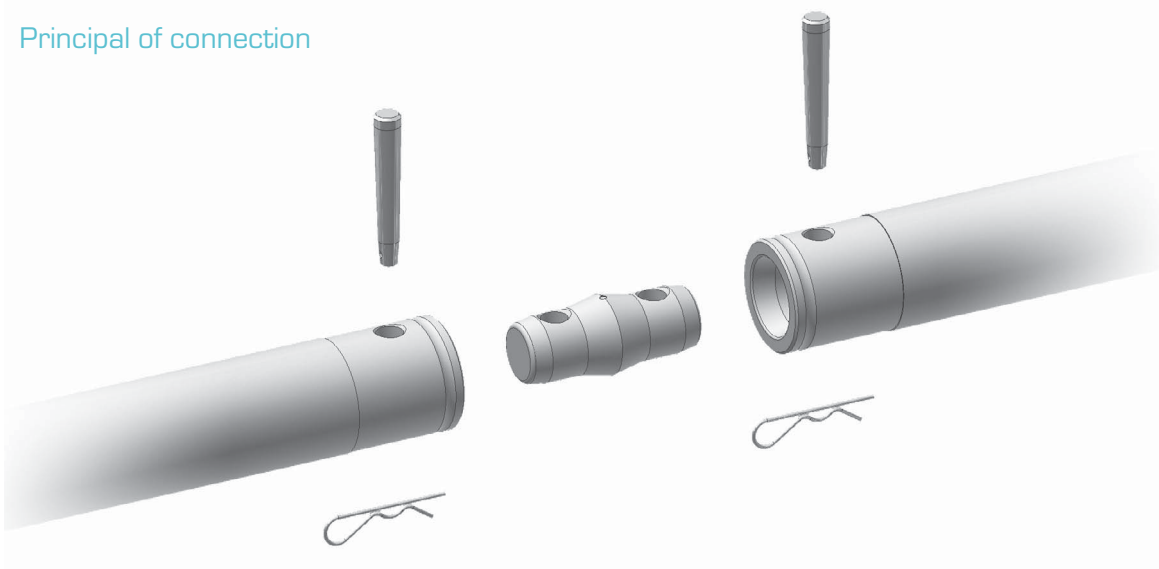


3
point



4
point

Principal of connection



16 m
max. span

135%
4K-30 can carry 135%
more than 3K-30

771 kg
CPL in 6 m
of 4K-30