

The VTX-90TN is part of the directive column loudspeakers range of high quality certified according to EN 54-24 fire alarm.

Thanks to its minimalist design based on straight and pure lines are a perfect combination in any space, both outdoors and indoors.

Its high directivity, achieved by acoustic engineering applied to the layout of its loudspeakers, allows the sound beam to be directed toward the audience area, helping to achieve high levels of intelligibility in acoustically challenging enclosures.

Equipped with line transformer for 70/100V, isolation fuse, and ceramic connector. Includes regulable bracket to mounting on the wall.

Features:

- High-quality directive column loudspeaker
- Made of resistant aluminum
- Protected against fire. EN54-24 certified.
- Excellent sound and voice reproduction
- Easy mounted



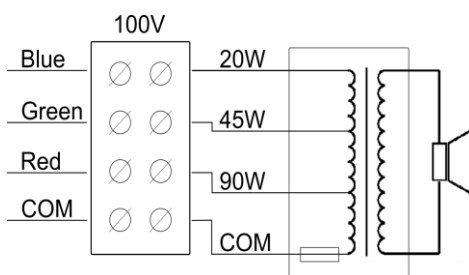
Technical Specifications:

Model	VTX-90TN			
Reference	LDAVTX90TNS01			
Speaker diameter	12 x 2.5"			
Max power	135 W			
Nominal power	90 W rms			
Connection @ 100 V	90 W / 45 W / 20 W			
Connection @ 70 V	44 W / 22 W / 10 W			
SPL (Pmax / 1m)	108 dB +/- 1dB			
SPL (1W / 1m)	91 dB +/- 1dB			
SPL (1W / 4m)	78,5 dB +/- 1dB			
Frequency response (- 10 dB)	130 Hz-15 KHz			
Dispersion (-6 dB)	500Hz	1000 Hz	2000 Hz	4000Hz
	360°H 60°V	190°H 30°V	135°H 10°V	95°H 10°V
Nominal voltage	100 V / 70 V			
Nominal impedance	111 Ω / 222 Ω / 500 Ω			
Connection	Multipart wire and ceramic terminal. Max section: 2.5mm ²			
Thermal Fuse	115°C			
Dimensions	96 x 98 x 980 mm			
Color	White (RAL 9003)			

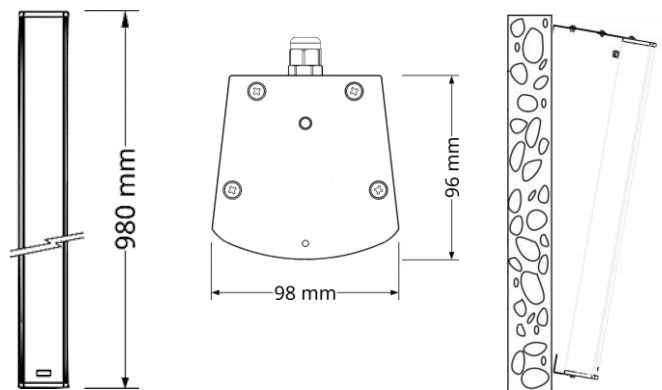
IP protection grade	IP54 (Type B according to EN54-24)
Net weight	5.4 Kg
Gross weight	6.9 Kg / 15.30 Kg (2 units)
Packaging dimensions	165 x 165 x 1030 mm / 1050 x 180 x 360 mm (2 units)

- The reference axis is perpendicular to the central point of the grid.
- The reference plane is perpendicular to the center of the reference axis.
- The horizontal plane is perpendicular to the central point of the reference plane.
- Acoustic environment employed: Normalized acoustic screen in an anechoic chamber.

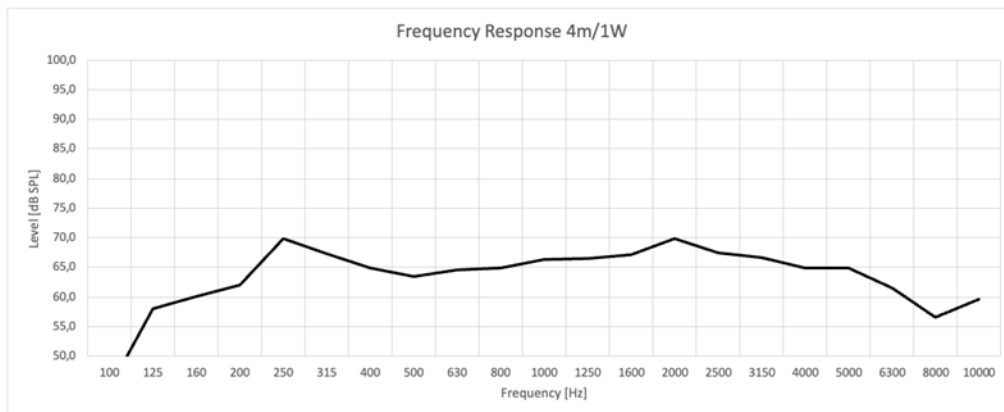
Circuit diagram:



Main mechanical views:



Frequency response:



Installation:

1. Fix the brackets to the speaker with the included screws.
2. Fix the brackets to the surface and adjust the unit orientation.
3. Make the connection and select the desired power.